



Oxford Cambridge and RSA

**Thursday 15 October 2020 – Afternoon**

**AS Level Further Mathematics A**

**Y533/01 Mechanics**

**Time allowed: 1 hour 15 minutes**



**You must have:**

- the Printed Answer Booklet
- the Formulae Booklet for AS Level Further Mathematics A
- a scientific or graphical calculator

**INSTRUCTIONS**

- Use black ink. You can use an HB pencil, but only for graphs and diagrams.
- Write your answer to each question in the space provided in the **Printed Answer Booklet**. If you need extra space use the lined pages at the end of the Printed Answer Booklet. The question numbers must be clearly shown.
- Fill in the boxes on the front of the Printed Answer Booklet.
- Answer **all** the questions.
- Where appropriate, your answer should be supported with working. Marks might be given for using a correct method, even if your answer is wrong.
- Give non-exact numerical answers correct to 3 significant figures unless a different degree of accuracy is specified in the question.
- The acceleration due to gravity is denoted by  $g \text{ m s}^{-2}$ . When a numerical value is needed use  $g = 9.8$  unless a different value is specified in the question.
- Do **not** send this Question Paper for marking. Keep it in the centre or recycle it.

**INFORMATION**

- The total mark for this paper is **60**.
- The marks for each question are shown in brackets [ ].
- This document has **8** pages.

**ADVICE**

- Read each question carefully before you start your answer.

Answer **all** the questions.

1 A car of mass 1200 kg is driven on a long straight horizontal road. There is a constant force of 250 N resisting the motion of the car. The engine of the car is working at a constant power of 10 kW.

(a) The car can travel at constant speed  $v \text{ m s}^{-1}$  along the road. Find  $v$ . [2]

(b) Find the acceleration of the car at an instant when its speed is  $30 \text{ m s}^{-1}$ . [3]

2 A particle  $P$  of mass 4.5 kg is moving in a straight line on a smooth horizontal surface at a speed of  $2.4 \text{ m s}^{-1}$  when it strikes a vertical wall directly. It rebounds at a speed of  $1.6 \text{ m s}^{-1}$ .

(a) Find the coefficient of restitution between  $P$  and the wall. [1]

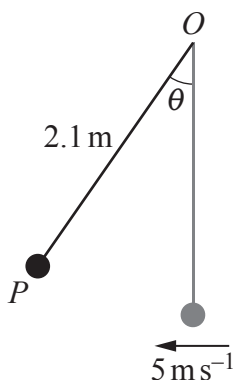
(b) Determine the impulse applied to  $P$  by the wall, stating its direction. [3]

(c) Find the loss of kinetic energy of  $P$  as a result of the collision. [2]

(d) State, with a reason, whether the collision is perfectly elastic. [1]

3 A particle  $P$  of mass 5.6 kg is attached to one end of a light rod of length 2.1 m. The other end of the rod is freely hinged to a fixed point  $O$ .

The particle is initially at rest directly below  $O$ . It is then projected horizontally with speed  $5 \text{ m s}^{-1}$ . In the subsequent motion, the angle between the rod and the downward vertical at  $O$  is denoted by  $\theta$  radians, as shown in the diagram.



(a) Find the speed of  $P$  when  $\theta = \frac{1}{4}\pi$ . [4]

(b) Find the value of  $\theta$  when  $P$  first comes to instantaneous rest. [2]

- 4 A particle  $P$  of mass  $2.4\text{ kg}$  is moving in a straight line  $OA$  on a horizontal plane.  $P$  is acted on by a force of magnitude  $30\text{ N}$  in the direction of motion. The distance  $OA$  is  $10\text{ m}$ .

(a) Find the work done by this force as  $P$  moves from  $O$  to  $A$ . [2]

The motion of  $P$  is resisted by a constant force of magnitude  $R\text{ N}$ . The velocity of  $P$  increases from  $12\text{ ms}^{-1}$  at  $O$  to  $18\text{ ms}^{-1}$  at  $A$ .

(b) Find the value of  $R$ . [3]

(c) Find the average power used in overcoming the resistance force on  $P$  as it moves from  $O$  to  $A$ . [3]

When  $P$  reaches  $A$  it collides directly with a particle  $Q$  of mass  $1.6\text{ kg}$  which was at rest at  $A$  before the collision. The impulse exerted on  $Q$  by  $P$  as a result of the collision is  $17.28\text{ N s}$ .

(d) (i) Find the speed of  $Q$  after the collision. [2]

(ii) Hence show that the collision is inelastic. [2]

- 5 A particle of mass  $m$  moves in a straight line with constant acceleration  $a$ . Its initial and final velocities are  $u$  and  $v$  respectively and its final displacement from its starting position is  $s$ . In order to model the motion of the particle it is suggested that the velocity is given by the equation

$$v^2 = pu^\alpha + qa^\beta s^\gamma$$

where  $p$  and  $q$  are dimensionless constants.

(a) Explain why  $\alpha$  must equal 2 for the equation to be dimensionally consistent. [2]

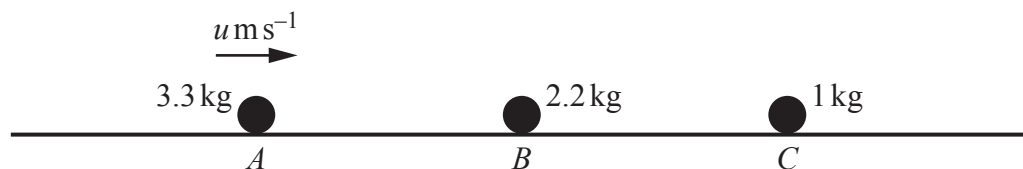
(b) By using dimensional analysis, determine the values of  $\beta$  and  $\gamma$ . [4]

(c) By considering the case where  $s = 0$ , determine the value of  $p$ . [1]

(d) By multiplying both sides of the equation by  $\frac{1}{2}m$ , and using the numerical values of  $\alpha$ ,  $\beta$  and  $\gamma$ , determine the value of  $q$ . [2]

- 6 Three particles  $A$ ,  $B$  and  $C$  are free to move in the same straight line on a large smooth horizontal surface. Their masses are 3.3 kg, 2.2 kg and 1 kg respectively. The coefficient of restitution in collisions between any two of them is  $e$ .

Initially,  $B$  and  $C$  are at rest and  $A$  is moving towards  $B$  with speed  $u \text{ m s}^{-1}$  (see diagram).  $A$  collides directly with  $B$  and  $B$  then goes on to collide directly with  $C$ .

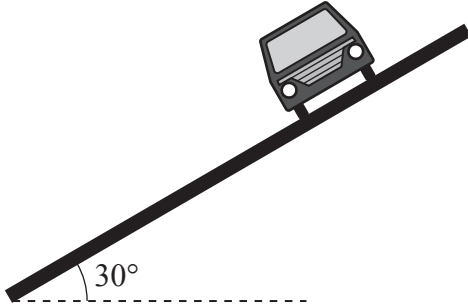


- (a) The velocities of  $A$  and  $B$  immediately after the first collision are denoted by  $v_A \text{ m s}^{-1}$  and  $v_B \text{ m s}^{-1}$  respectively.
- Show that  $v_A = \frac{u(3-2e)}{5}$ .
  - Find an expression for  $v_B$  in terms of  $u$  and  $e$ . [4]
- (b) Find an expression in terms of  $u$  and  $e$  for the velocity of  $B$  immediately after its collision with  $C$ . [4]

After the collision between  $B$  and  $C$  there is a further collision between  $A$  and  $B$ .

- (c) Determine the range of possible values of  $e$ . [4]

- 7 It is required to model the motion of a car of mass  $m$  kg travelling at a constant speed  $v$   $\text{m s}^{-1}$  around a circular portion of banked track. The track is banked at  $30^\circ$  (see diagram).



In a model, the following modelling assumptions are made.

- The track is smooth.
- The car is a particle.
- The car follows a horizontal circular path with radius  $r$  m.

(a) Show that, according to the model,  $\sqrt{3}v^2 = gr$ . [4]

For a particular portion of banked track,  $r = 24$ .

(b) Find the value of  $v$  as predicted by the model. [2]

A car is being driven on this portion of the track at the constant speed calculated in part (b). The driver finds that in fact he can drive a little slower or a little faster than this while still moving in the same horizontal circle.

(c) Explain

- how this contrasts with what the model predicts,
- how to improve the model to account for this.

[3]

**END OF QUESTION PAPER**



**BLANK PAGE**

---

# OCR

Oxford Cambridge and RSA

## Copyright Information

OCR is committed to seeking permission to reproduce all third-party content that it uses in its assessment materials. OCR has attempted to identify and contact all copyright holders whose work is used in this paper. To avoid the issue of disclosure of answer-related information to candidates, all copyright acknowledgements are reproduced in the OCR Copyright Acknowledgements Booklet. This is produced for each series of examinations and is freely available to download from our public website ([www.ocr.org.uk](http://www.ocr.org.uk)) after the live examination series.

If OCR has unwittingly failed to correctly acknowledge or clear any third-party content in this assessment material, OCR will be happy to correct its mistake at the earliest possible opportunity.

For queries or further information please contact The OCR Copyright Team, The Triangle Building, Shaftesbury Road, Cambridge CB2 8EA.

OCR is part of the Cambridge Assessment Group; Cambridge Assessment is the brand name of University of Cambridge Local Examinations Syndicate (UCLES), which is itself a department of the University of Cambridge.