

# Area of Triangle

## Difficulty: Easy

### Question Paper 1

Level	IGCSE
Subject	Maths (0580/0980)
Exam Board	CIE
Topic	Trigonometry
Sub-Topic	Area of Triangle
Paper	Paper 2
Difficulty	Easy
Booklet	Question Paper 1

**Time allowed:** 23 minutes

**Score:** /18

**Percentage:** /100

#### Grade Boundaries:

##### CIE IGCSE Maths (0580)

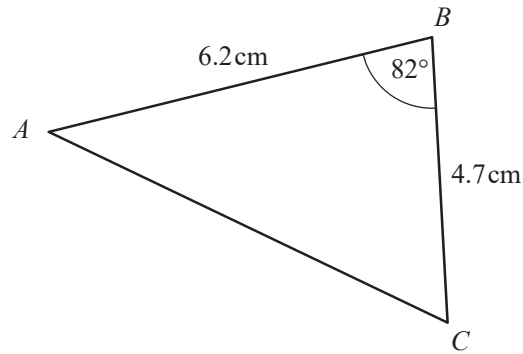
A*	A	B	C	D	E
>88%	76%	63%	51%	40%	30%

##### CIE IGCSE Maths (0980)

9	8	7	6	5	4	3
>94%	85%	77%	67%	57%	47%	35%

## Question 1

(a)

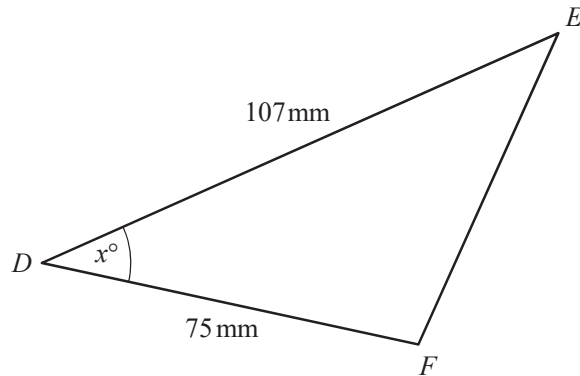


NOT TO  
SCALE

Calculate the area of triangle  $ABC$ .

[2]

(b)



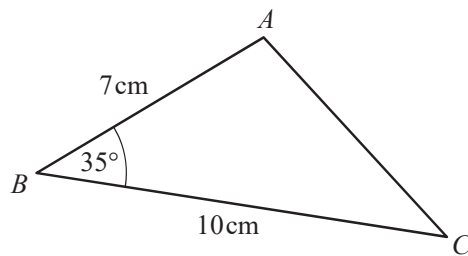
NOT TO  
SCALE

The area of triangle  $DEF$  is  $2050\text{ mm}^2$ .

Work out the value of  $x$ .

[2]

## Question 2



NOT TO  
SCALE

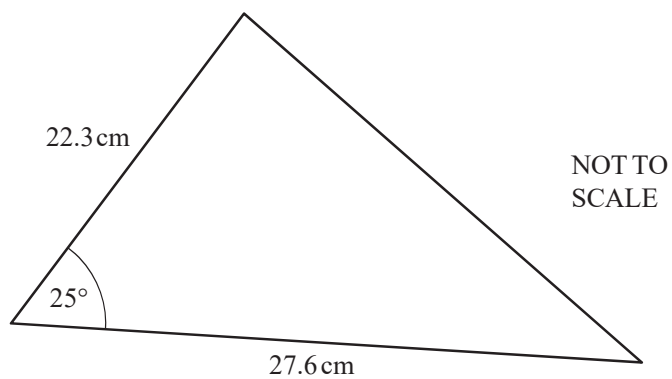
(a) Calculate the area of triangle  $ABC$ .

[2]

(b) Calculate the length of  $AC$ .

[4]

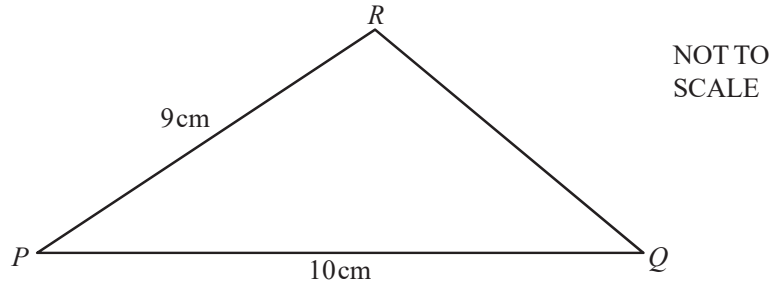
### Question 3



Calculate the area of this triangle.

[2]

## Question 4



The area of triangle  $PQR$  is  $38.5\text{ cm}^2$ .

Calculate the length  $QR$ .

[6]