

**GCSE (9–1) Physics A (Gateway Science)**  
**J249/03 Paper 3 (Higher Tier)**  
Sample Question Paper

**H**

**Date – Morning/Afternoon**

Time allowed: 1 hour 45 minutes

**You must have:**

- the Data Sheet

**You may use:**

- a scientific or graphical calculator
- a ruler



+ o o o o o o +

<b>First name</b>										
<b>Last name</b>										
<b>Centre number</b>						<b>Candidate number</b>				

**INSTRUCTIONS**

- Use black ink. HB pencil may be used for graphs and diagrams only.
- Complete the boxes above with your name, centre number and candidate number.
- Answer **all** the questions.
- Write your answer to each question in the space provided.
- Additional paper may be used if required but you must clearly show your candidate number, centre number and question number(s).
- Do **not** write in the bar codes.

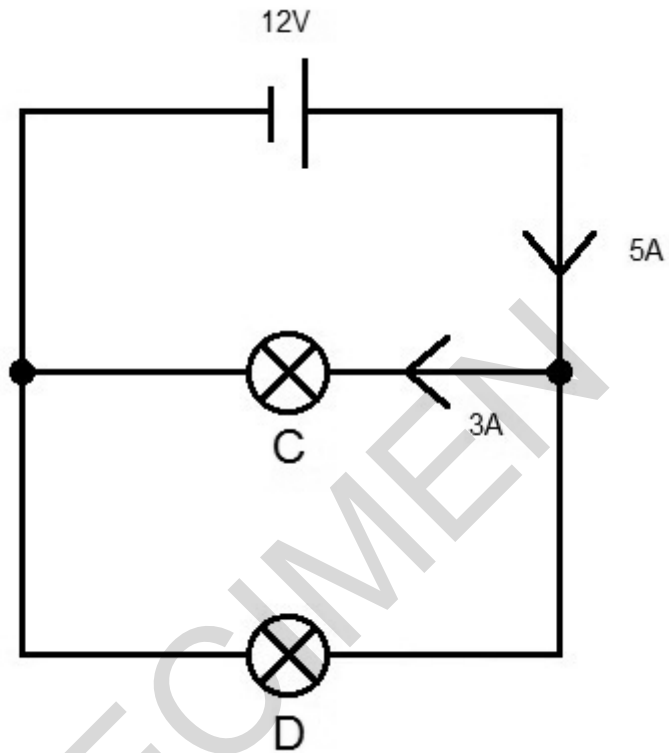
**INFORMATION**

- The total mark for this paper is **90**.
- The marks for each question are shown in brackets [ ].
- Quality of extended responses will be assessed in questions marked with an asterisk (\*).
- This document consists of **28** pages.

**SECTION A**Answer **all** the questions.

You should spend a maximum of 30 minutes on this section.

- 1 Look at the circuit diagram.



Use the formula **resistance = potential difference  $\div$  current** to calculate the resistance of bulb **D**.

- A 2  $\Omega$
- B 4  $\Omega$
- C 6  $\Omega$
- D 8  $\Omega$

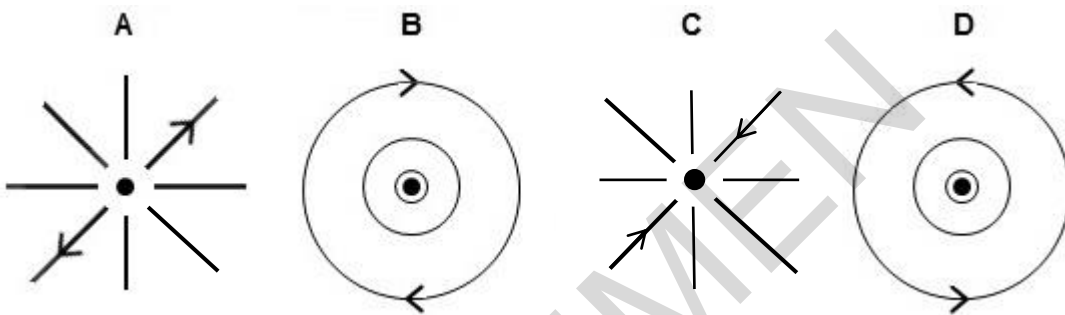
Your answer

**[1]**

- 2 The diagram shows a wire carrying an electric current.



Which diagram shows the magnetic field viewed from above, with the current coming towards you?



Your answer

- 3 Which of the following is **not** needed to generate a.c. in an alternator?

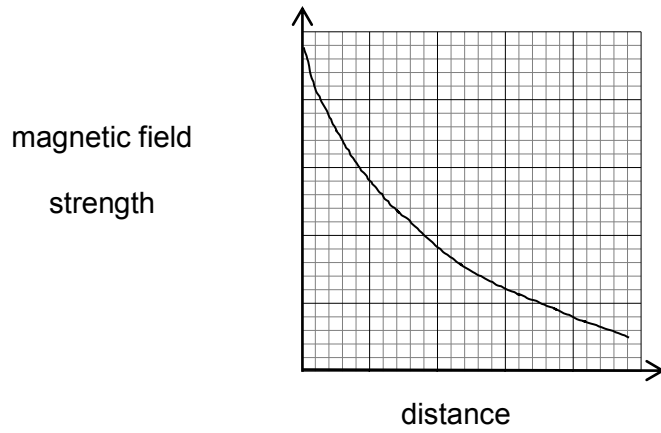
- A changing magnetic field
- B coil of wire
- C commutator
- D rotating magnet

Your answer

[1]

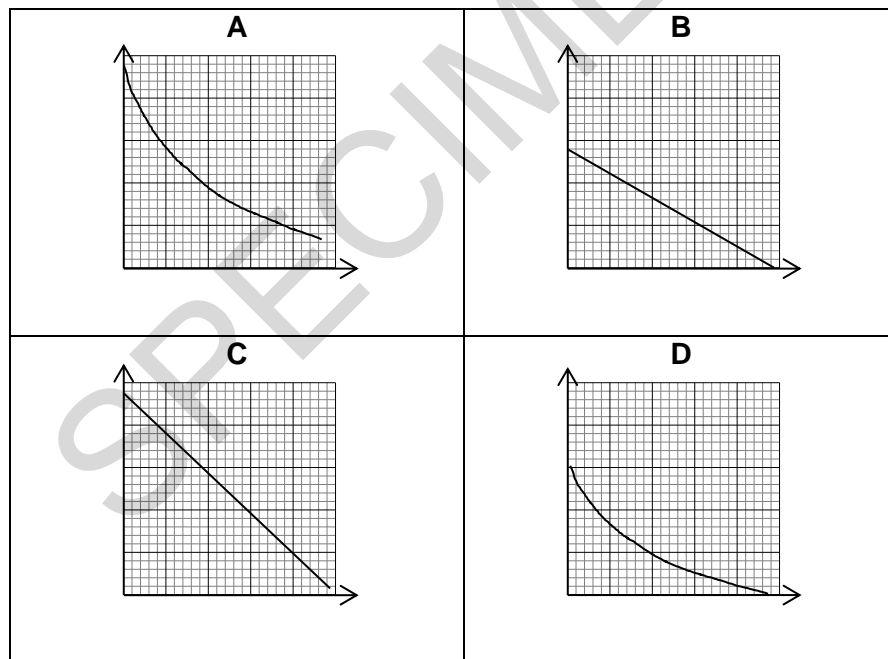
- 4 A student measures the magnetic field strength around a current carrying conductor at increasing distances from the conductor.

She plots her results.



The current in the conductor is decreased and a new graph plotted.

Which is the correct graph?



Your answer

[1]

- 5 A car travels 200 km in four hours.

If the car **doubles** its speed how long would it take to travel 50 km?

- A 0.5 hours  
 B 1.0 hours  
 C 2.0 hours  
 D 4.0 hours

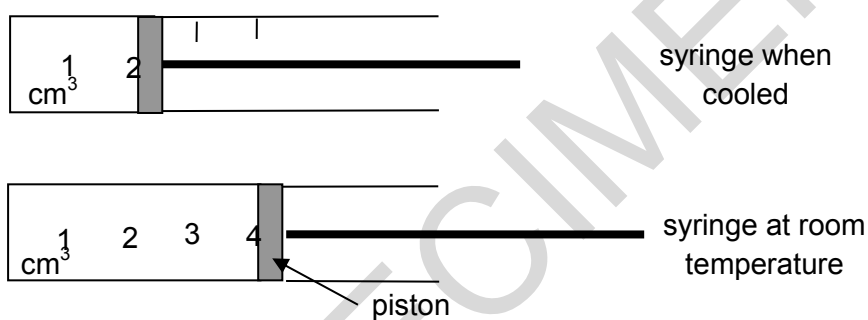
Your answer

[1]

- 6 A graduated syringe contains air.

It is put in a freezer to cool it down.

When it is removed from the freezer the piston has moved inwards.



The density of the air in the syringe when cooled is 2.4 kg/m<sup>3</sup>.

What was the density of the air at room temperature?

- A 0.6 kg/m<sup>3</sup>  
 B 1.2 kg/m<sup>3</sup>  
 C 2.4 kg/m<sup>3</sup>  
 D 4.8 kg/m<sup>3</sup>

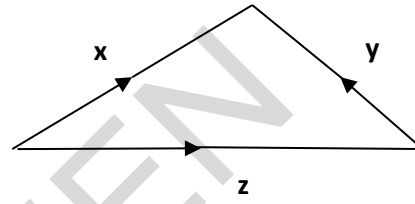
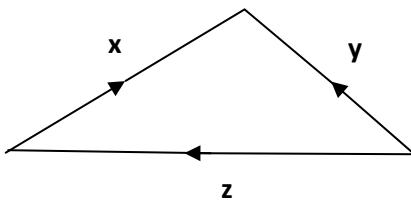
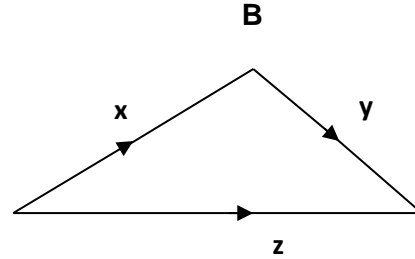
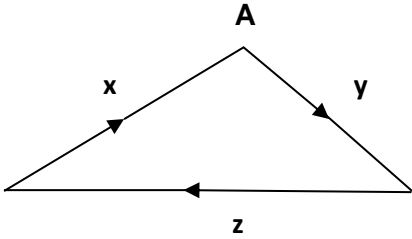
Your answer

[1]

7 A body has three forces, **x**, **y** and **z** acting on it.

The body is in **equilibrium**.

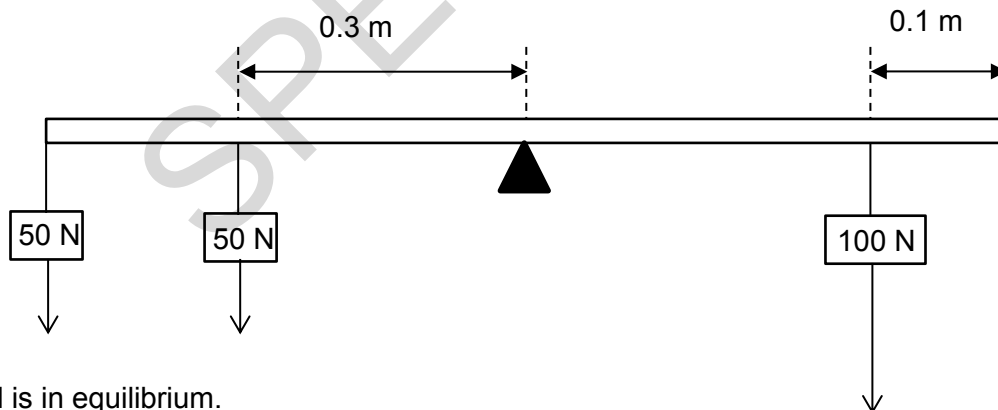
Which vector diagram represents this situation?



Your answer

[1]

8 A uniform 1.0 m rod is pivoted at its centre.



The rod is in equilibrium.

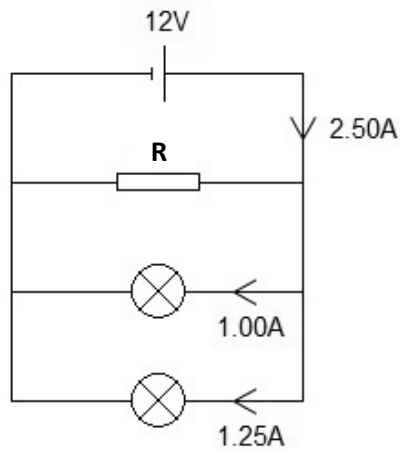
What is the value of the anti-clockwise moment about the pivot?

- A 10 Nm
- B 15 Nm
- C 40 Nm
- D 100 Nm

Your answer

[1]

9



Calculate the power dissipated by resistor **R**.

- A 30 W
- B 15 W
- C 12 W
- D 3 W

Your answer

[1]

10 The diagram shows two poles of a magnet.



X is the position of a wire carrying a current perpendicularly into the paper.

Which direction does the wire move?

- A  $\downarrow$
- B  $\rightarrow$
- C  $\leftarrow$
- D  $\uparrow$

Your answer

[1]

- 11 A piece of metal has a volume of  $2.0 \times 10^{-5} \text{ m}^3$ .

The density of it is  $8.0 \times 10^3 \text{ kg/m}^3$ .

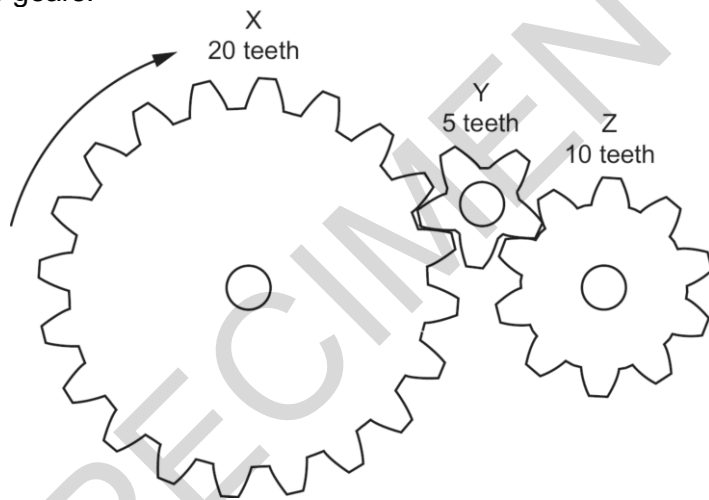
What is its mass?

- A  $2.5 \times 10^{-3} \text{ kg}$   
 B  $4.0 \times 10^{-2} \text{ kg}$   
 C  $1.6 \times 10^{-1} \text{ kg}$   
 D  $1.6 \times 10^3 \text{ kg}$

Your answer

[1]

- 12 The diagram shows 3 gears.



Gear **X** is rotated clockwise at 1.0 rotations per second.

Which row is the correct description of the movement of gear **Z**?

	direction of rotation	rotations per second
<b>A</b>	anticlockwise	0.5
<b>B</b>	anticlockwise	2.0
<b>C</b>	clockwise	0.5
<b>D</b>	clockwise	2.0

Your answer

[1]



**13** A car and driver with a total mass of 1000kg is travelling at 20 m/s.

The driver applies the brake and the car comes to a stop in 4 seconds.

What is the mean force on the car?

**A** 80 000 N

**B** 5 000 N

**C** 200 N

**D** 12.5 N

Your answer

[1]

**14** The current in a 12  $\Omega$  resistor is 9.0 A.

How much power is dissipated?

**A** 108 W

**B** 972 W

**C** 1 296 W

**D** 11 664 W

Your answer

[1]

**15** How much work is done on a spring, of spring constant 16 N/m, when it is stretched 50 cm?

**A** 2.0 J

**B** 8.0 J

**C** 12.5 J

**D** 25.0 J

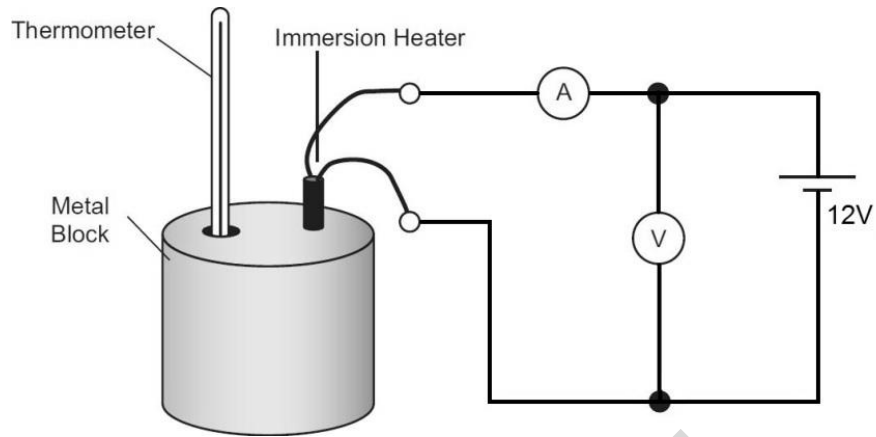
Your answer

[1]

**SECTION B**

Answer **all** the questions.

**16** A student completes an experiment to find the specific heat capacity of a metal.



**(a) (i)** The student takes voltage and current measurements.  
Suggest **three** other measurements they need to take?

.....

.....

.....

**[3]**

**(ii)** Describe how these measurements could be used to determine the specific heat capacity of the metal.

.....

.....

.....

**[2]**

**(b)** The value obtained from the experiment is much higher than expected.

Suggest **two** reasons how this could have occurred and **two** improvements to the experimental procedure.

.....

.....

.....

.....

.....

**[4]**



(b) The rate of flow of electrical charge in a circuit is a current.

A current of 40 mA transfers a charge of 3.6 C.

Calculate how long this takes.

Show your working.

.....

.....

.....

**answer:** ..... seconds

**[3]**

SPECIMEN

- 18 (a) A depth of 10 m of water exerts the same amount of pressure as the entire Earth's atmosphere which is ~120 km thick.

Suggest why.

.....

[1]

- (b) A diver takes some pressure readings.

Their results are in the table below.

Depth of water (m)	Pressure (standard units)
0	1
10	2
20	3
30	4
40	5
50	6

Use the data to describe the relationship between the depth of water and pressure.

.....

.....

.....

[2]

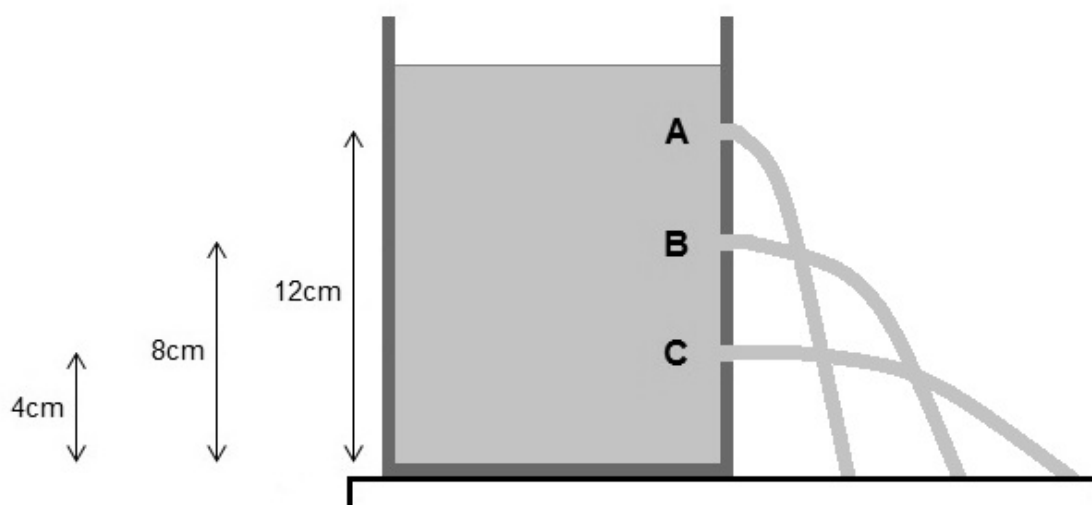
- (c) Suggest why there is pressure at 0 metres.

.....

.....

[1]

- (d) A container of vegetable oil has 3 holes in it.



The vegetable oil has a density of  $9.1 \times 10^2 \text{ kg/m}^3$ .

Calculate the change in pressure from **A** to **B**.

Show your working and give your answer to **2** significant figures.

.....

.....

.....

.....

.....

.....

answer: ..... Pa

[4]

**BLANK PAGE**

**TURN OVER FOR THE NEXT QUESTION**

SPECIMEN

19 A student takes voltage and current measurements for four resistors.

The table shows the results from this experiment.

Resistor	Voltage (V)	Current (A)	Resistance ( $\Omega$ )
A	12.0	2.0	
B	6.0	1.5	
C	7.5	1.5	
D	8.0	2.0	

(a) Which two resistors have the same resistance value?

Use the data to show this.

.....

.....

.....

[2]

(b) Calculate the maximum resistance that can be made using all four resistors.

.....

.....

answer: .....  $\Omega$

[1]

(c) (i) Draw a circuit diagram that could be used to find out how the resistance of a filament bulb changes with current.

Describe the readings you need to take.

.....

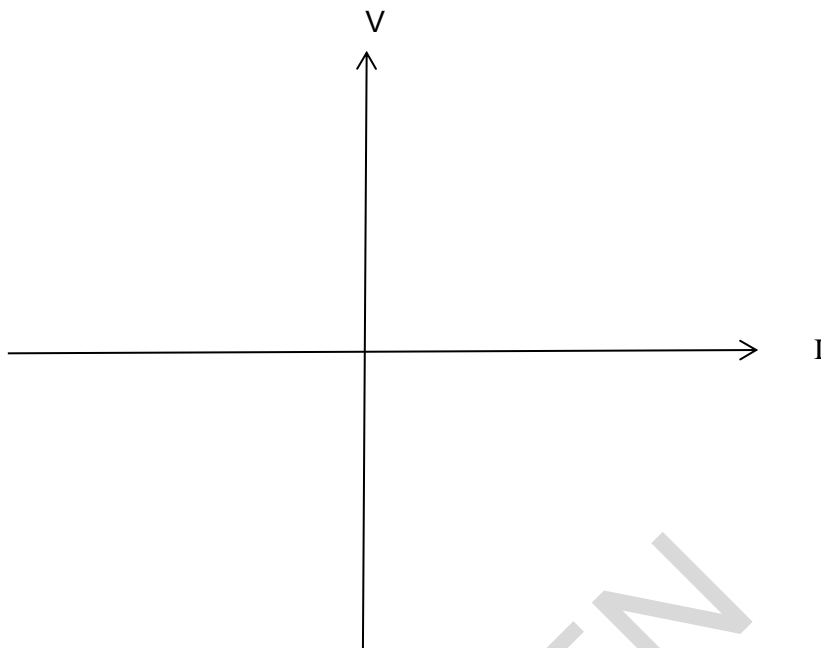
.....

.....

[4]



- (ii) Sketch the shape of the graph using the axes below.

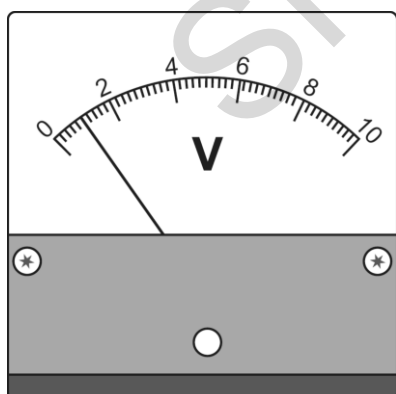


State how this graph can be used to calculate resistance at any specific value of current.

.....  
 .....

[2]

- (d) A voltmeter is used to measure the output voltages produced from the circuit. The voltmeter is not connected to a circuit and not recording a voltage.

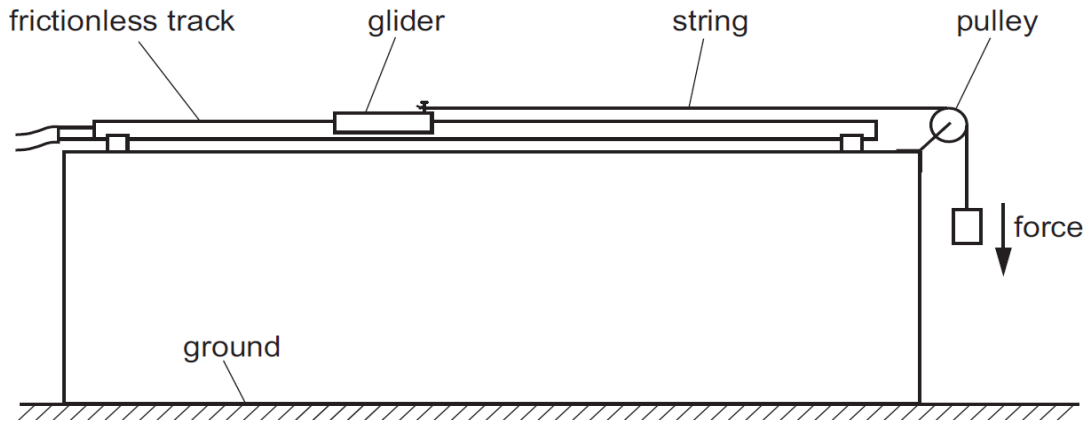


Name the error on the voltmeter and suggest how it should be dealt with.

.....  
 .....

[2]

- 20 A student investigates the motion of a glider on a frictionless air track using the apparatus shown in the picture.



- (a) (i) Explain how the student can use this apparatus to demonstrate Newton's Second Law.  
Include details of any additional equipment required.

.....  
.....  
.....  
.....  
.....  
.....  
.....

[3]

- (ii) A 0.25 kg glider is pulled by a 1.0 N force.  
Calculate the acceleration of the glider using the formula:

**force = mass x acceleration**

.....  
.....  
.....  
.....

answer: ..... m/s<sup>2</sup>

[1]

(iii) Suggest reasons why the recorded value was less than your calculated value.

.....  
 .....

[2]

(b) The student repeats the experiment for 4 more forces.

Force (N)	Acceleration ( $\text{m/s}^2$ )			Mean
	Attempt 1	Attempt 2	Attempt 3	
1.0	3.8	3.9	3.7	3.8
2.0	7.8	7.7	7.7	7.7
3.0	11.2	11.4	11.6	11.4
4.0	12.0	14.9	15.1	13.8
5.0	19.0	18.9	19.1	19.0

There is an anomaly in the results.

Identify the anomaly and explain how the student could have dealt with it.

.....  
 .....

[2]

(c) Explain what is meant by a reproducible experiment.

.....  
 .....

[1]

- 21 (a) (i) Write down the name of the rule which can be used to predict the direction of the force perpendicular to a current-carrying conductor in a magnetic field.

.....  
 .....

[1]

A student places four wires of different lengths perpendicular to different magnetic fields with different currents flowing.

Look at the table of their results.

Wire	Magnetic flux density (T)	Current (A)	Length (m)
A	0.10	2.5	0.50
B	0.15	2.0	0.75
C	0.20	4.5	0.25
D	0.25	5.0	1.00

- (ii) Use the data to show that wire D experiences the highest force.

Show your working.

.....  
 .....  
 .....

[2]

- (b) (i) The student decides to build a model transformer.

The transformer is a step-up transformer which doubles the input voltage.

Describe how they could build this step-up transformer in a science laboratory.

.....  
 .....  
 .....  
 .....  
 .....

[4]

(ii) Suggest **one** risk associated with this experiment and how it can be reduced.

.....  
.....

[2]

(c) Describe how a microphone works.

.....  
.....  
.....

[2]

SPECIMEN



- 23** A student researches potential and kinetic energy. She looks at some data from experiments with motion trolleys and energy.

The trolleys are stationary at the top of the ramp and have a gravitational potential energy of 8 J.

Each trolley has a mass of 1 kg.

Look at the research data on the trolleys.

Trolley	Velocity at the bottom of the ramp (m/s)
W	3
X	4
Y	5
Z	6

The student thinks the data is wrong.

Use the data and your understanding of energy transfer to justify why trolley W has the most likely velocity and why X, Y and Z do not.

.....

.....

.....

.....

.....

.....

.....

.....

.....

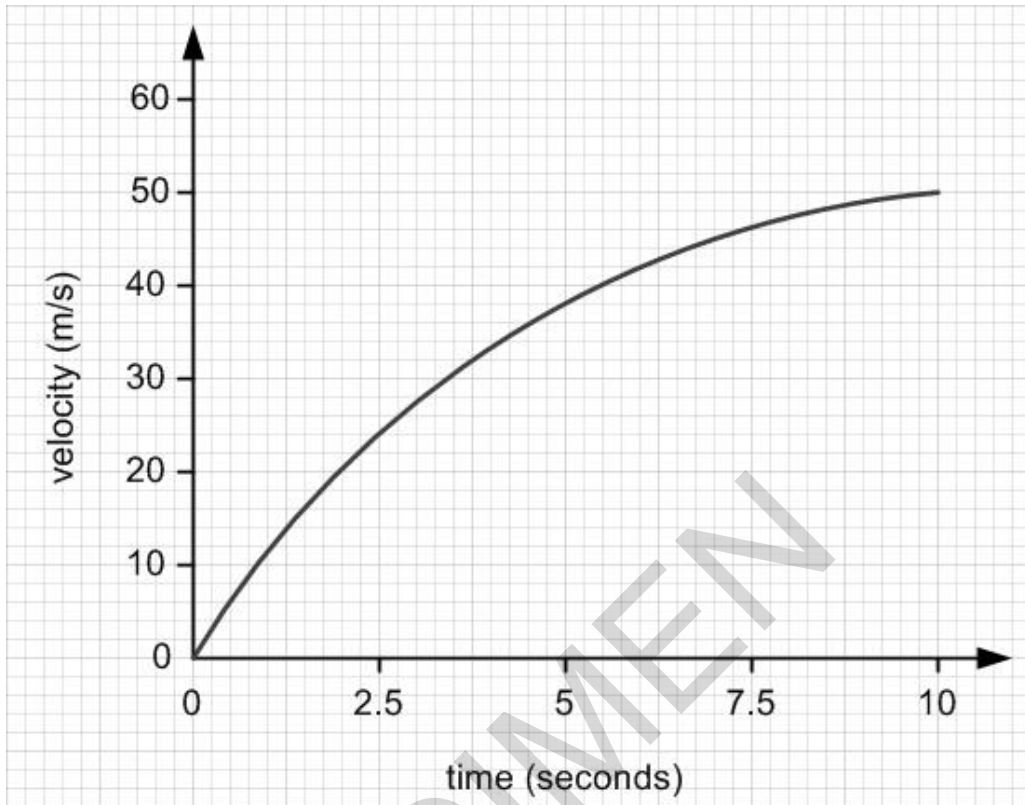
.....

.....

**[4]**

24 A free-fall skydiver falls from a plane and reaches terminal velocity after 15 seconds.

Look at the graph of her motion.



(a) Use the graph to find the acceleration at 5 seconds.

.....

.....

.....

.....

.....

answer: ..... m/s<sup>2</sup> [3]

(b) Use the graph to find the distance travelled between 0 and 2.5 seconds.

.....

.....

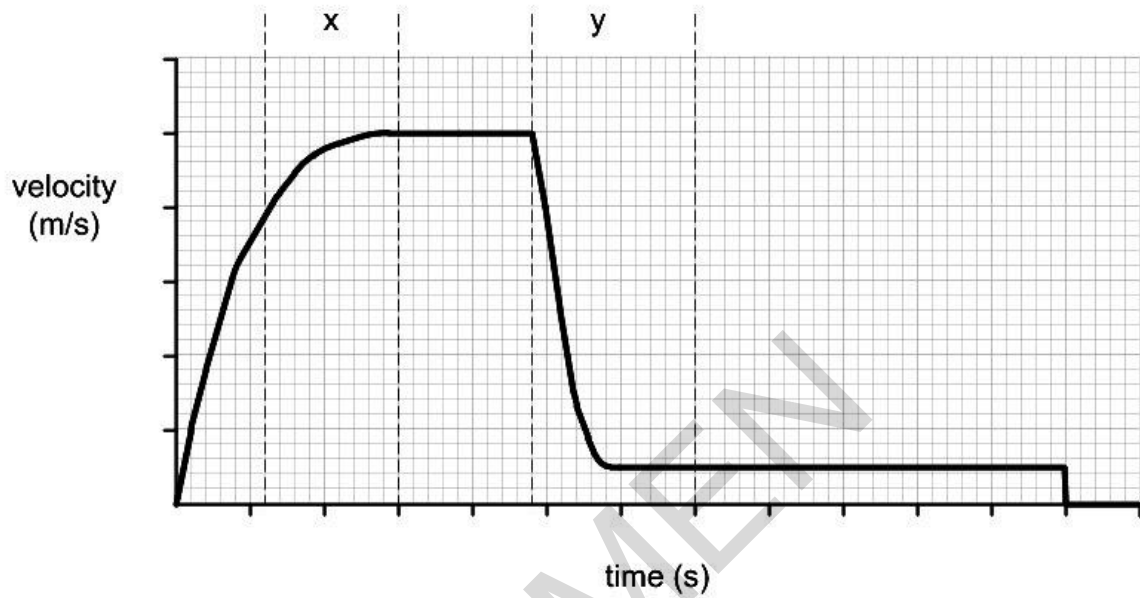
.....

answer: ..... m [2]



- (c) A skydiver jumps from an aeroplane, falls towards the ground, opens her parachute and falls safely to earth.

Look at the graph of the velocity of the skydiver as she falls.



Look at these regions of the graph:

- x
- y

Use ideas about forces to explain the motion during **x** and **y**.

.....

.....

.....

.....

.....

.....

.....

.....

.....

.....

[6]

**END OF QUESTION PAPER**

**BLANK PAGE**

SPECIMEN

**BLANK PAGE**

SPECIMEN

SPECIMEN

---

Copyright Information:

Image reproduced by permission from George Retseck. [www.georgeretseck.com](http://www.georgeretseck.com)

OCR is committed to seeking permission to reproduce all third-party content that it uses in the assessment materials. OCR has attempted to identify and contact all copyright holders whose work is used in this paper. To avoid the issue of disclosure of answer-related information to candidates, all copyright acknowledgements are reproduced in the OCR Copyright Acknowledgements booklet. This is produced for each series of examinations and is freely available to download from our public website ([www.ocr.org.uk](http://www.ocr.org.uk)) after the live examination series.

If OCR has unwittingly failed to correctly acknowledge or clear any third-party content in this assessment material, OCR will be happy to correct its mistake at the earliest possible opportunity.

For queries or further information please contact the Copyright Team, First Floor, 9 Hills Road, Cambridge CB2 1GE.

OCR is part of the Cambridge Assessment Group; Cambridge Assessment is the brand name of University of Cambridge Local Examinations Syndicate (UCLES), which is itself a department of the University of Cambridge.